

Z1225S

Z-REAMER

The Z-Reamer is a compact block-type underreamer featuring advanced reaming capabilities. Due to its short size and hydraulic activation, it can be run either above MWD/LWD strings or below, as a near-bit/rathole reamer. This versatility makes it usable in a wide range of applications, providing reliability and performances even in challenging operations.

PDC cutter sizes can be matched to the bit for a wide range of formations and applications.

Advantages

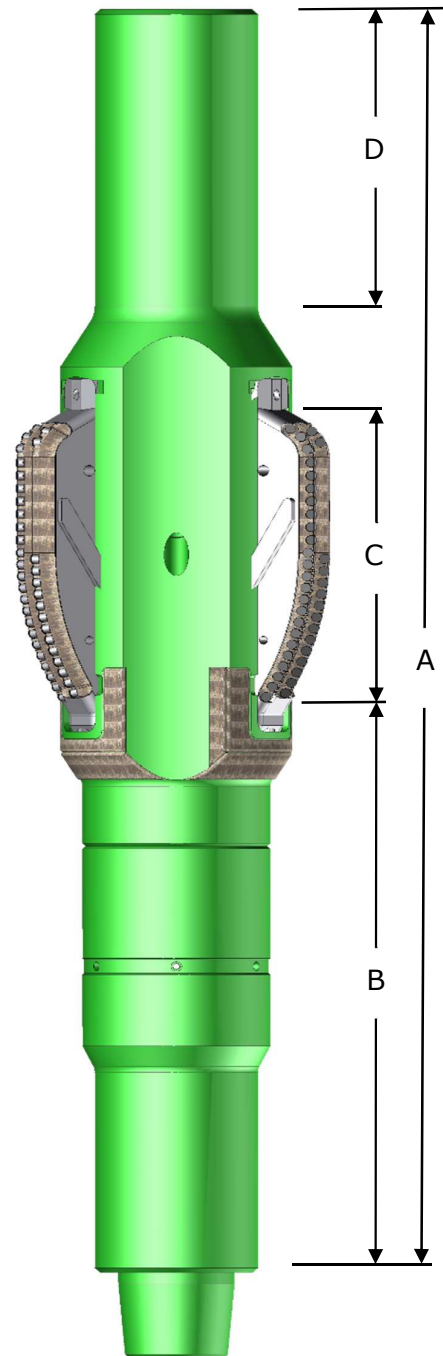
- Compact size, can be run directionally near-bit.
- Largest opening range among block-type PDC underreamers.
- Choice between fully hydraulic activation and ball drop.
- Fully pass-through internal diameter.
- Simple and reliable expanding/retracting mechanism (No Lock™).
- Long cutting blocks featuring dense cutting structures and long gauges.
- Joint bit and cutters design for matching cutting structures.
- Backreaming capability.

Specifications

Max. body OD (hardfaced)	11 3/4"	298 mm
Shoulder-to-shoulder length (A)	73.30"	1,862 mm
Blade-to-bottom length (B)	31.37"	797 mm
Blade length (C)	16.06"	408 mm
Fishing neck length (D)	17.72"	450 mm
Fishing neck OD	8 1/4"	210 mm
Top thread	6 5/8" API REG Box	
Bottom thread	6 5/8" API REG Pin	
Min. ID (operating)	2.27"	58 mm
Total weight (w. std. cutters)	1,255 lbs	570 kg

Operating Parameters

Min. pilot hole size	11 7/8"	302 mm
Opening range	12 1/2" – 17 1/2"	317 – 444 mm
Collapsed diameter	11 3/4"	298 mm
Max flow rate	1800 GPM	6,800 lpm
Min operating pressure	150 PSI	10 bar
Max operating temp. (std. seals)	392 degF	200 degC



Contact us at info@zreamerusa.com

Find your local representative on www.zreamerusa.com